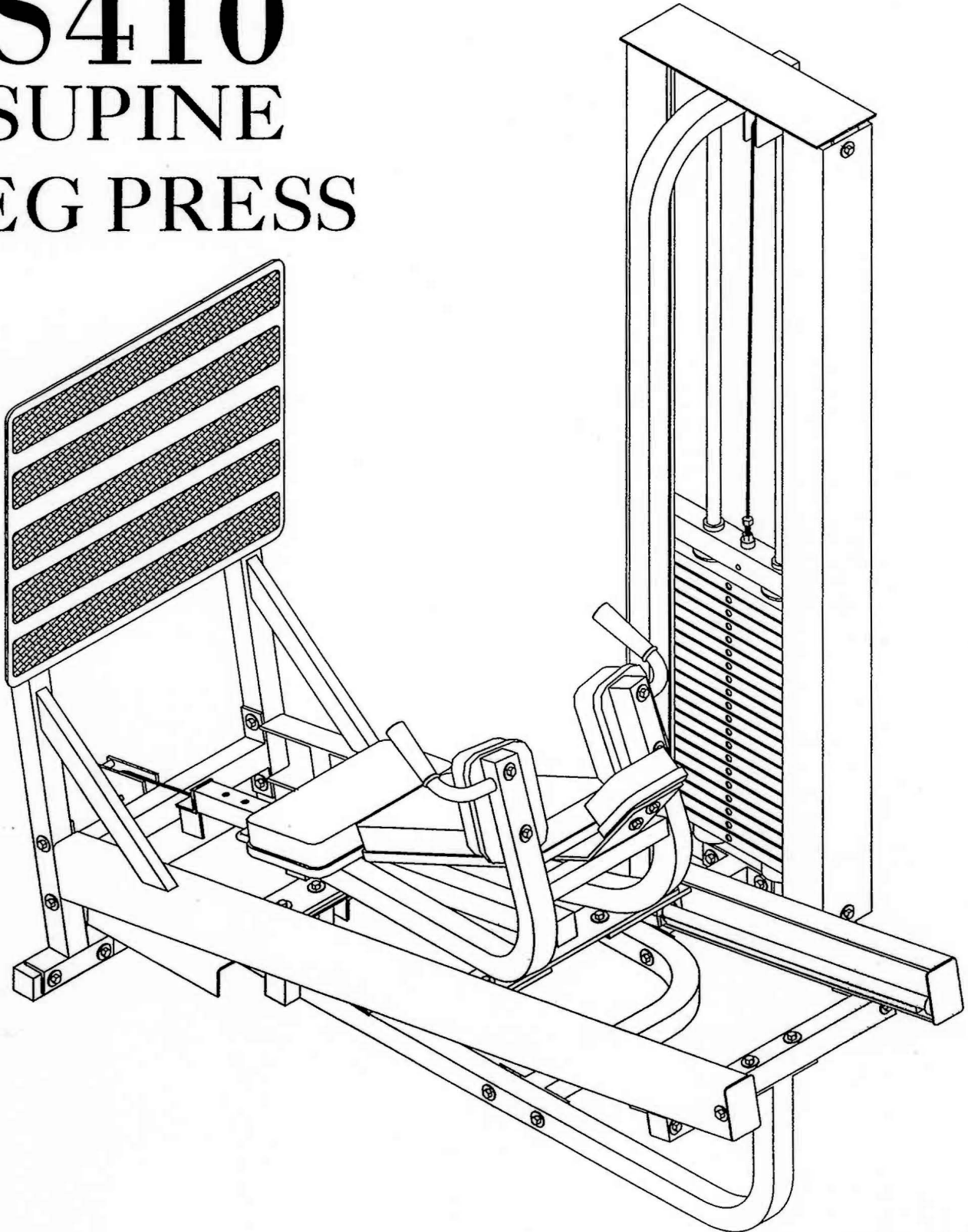


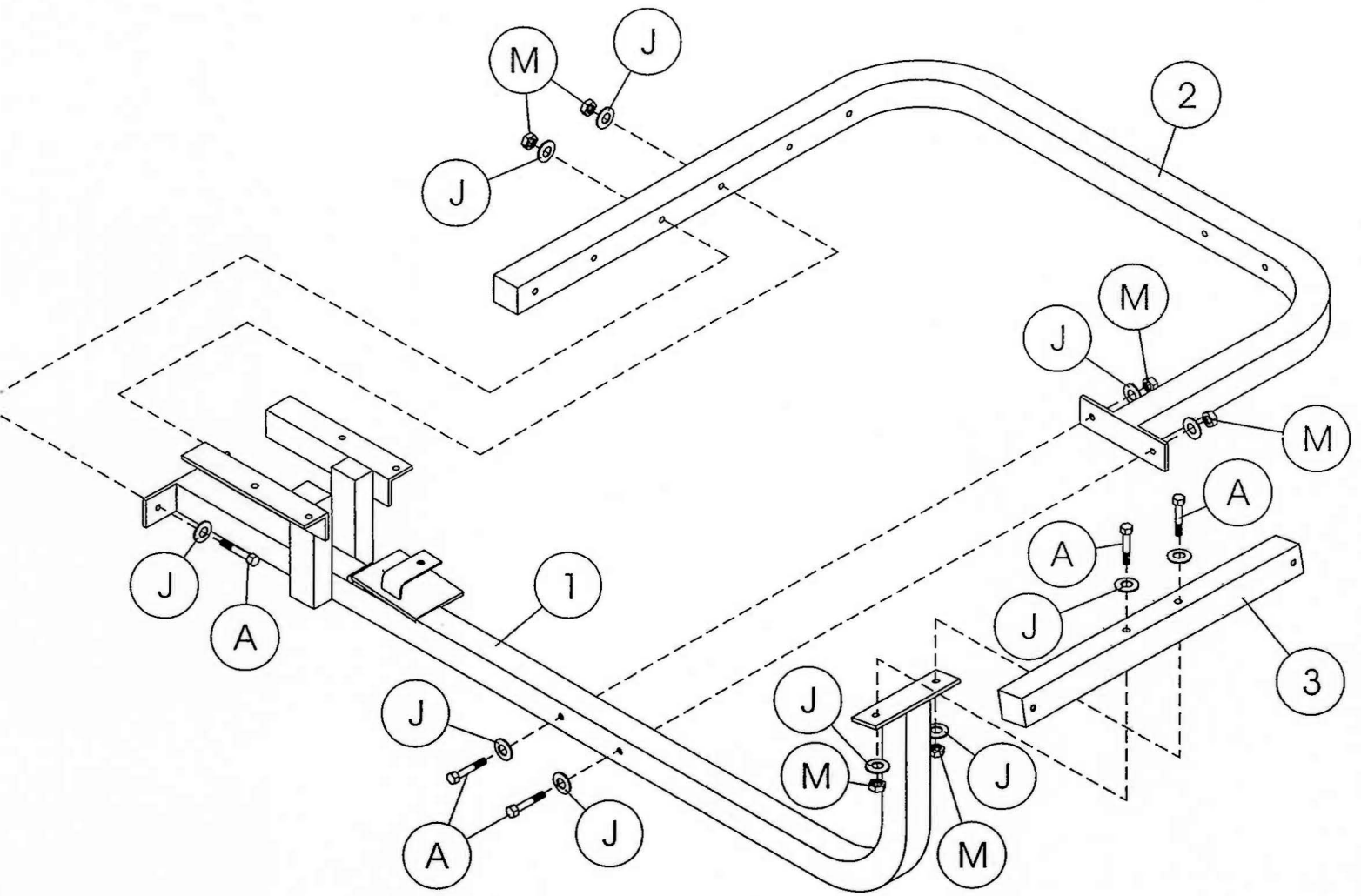
HOIST[®]
FITNESS SYSTEMS

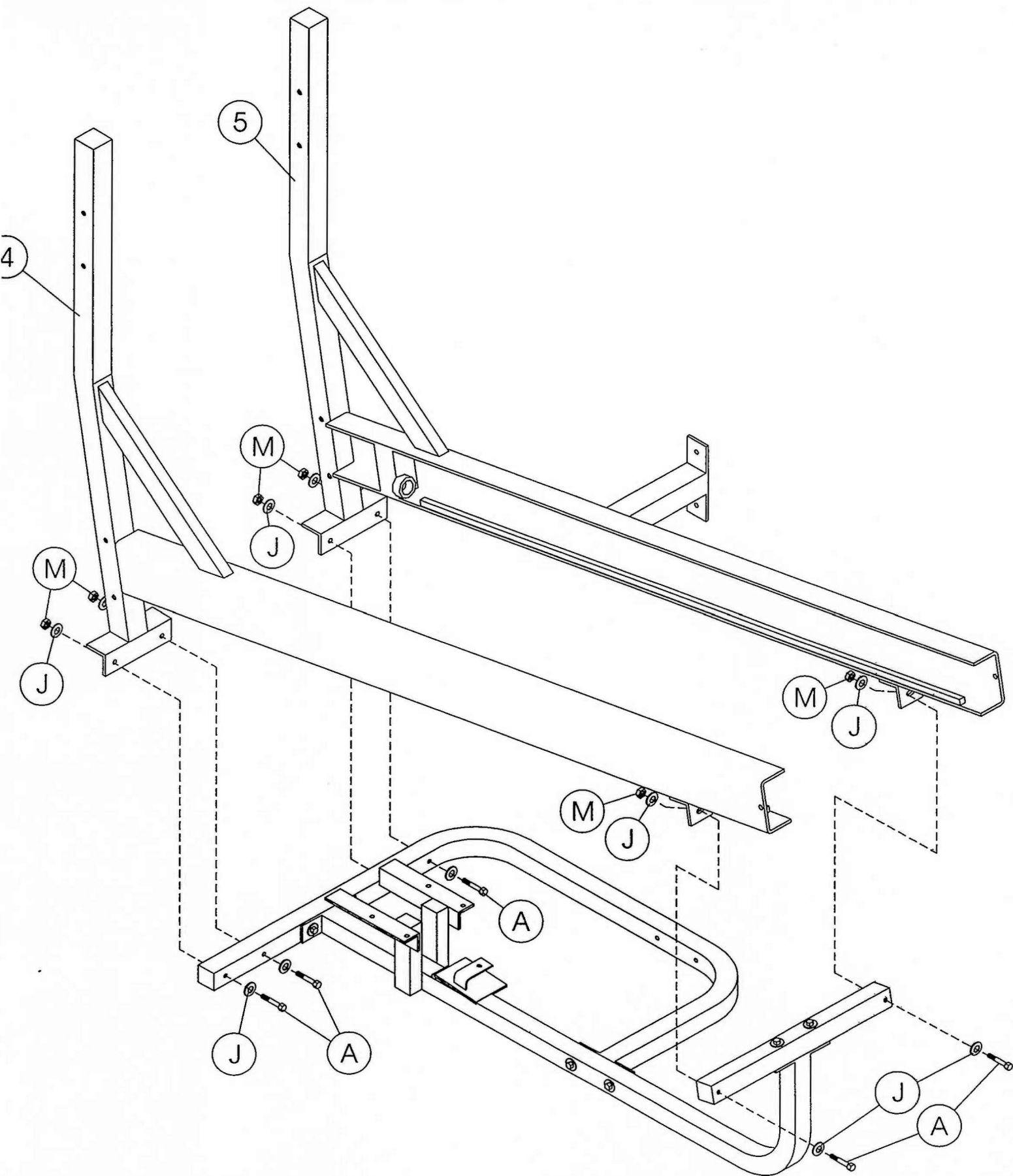
S410 SUPINE LEG PRESS

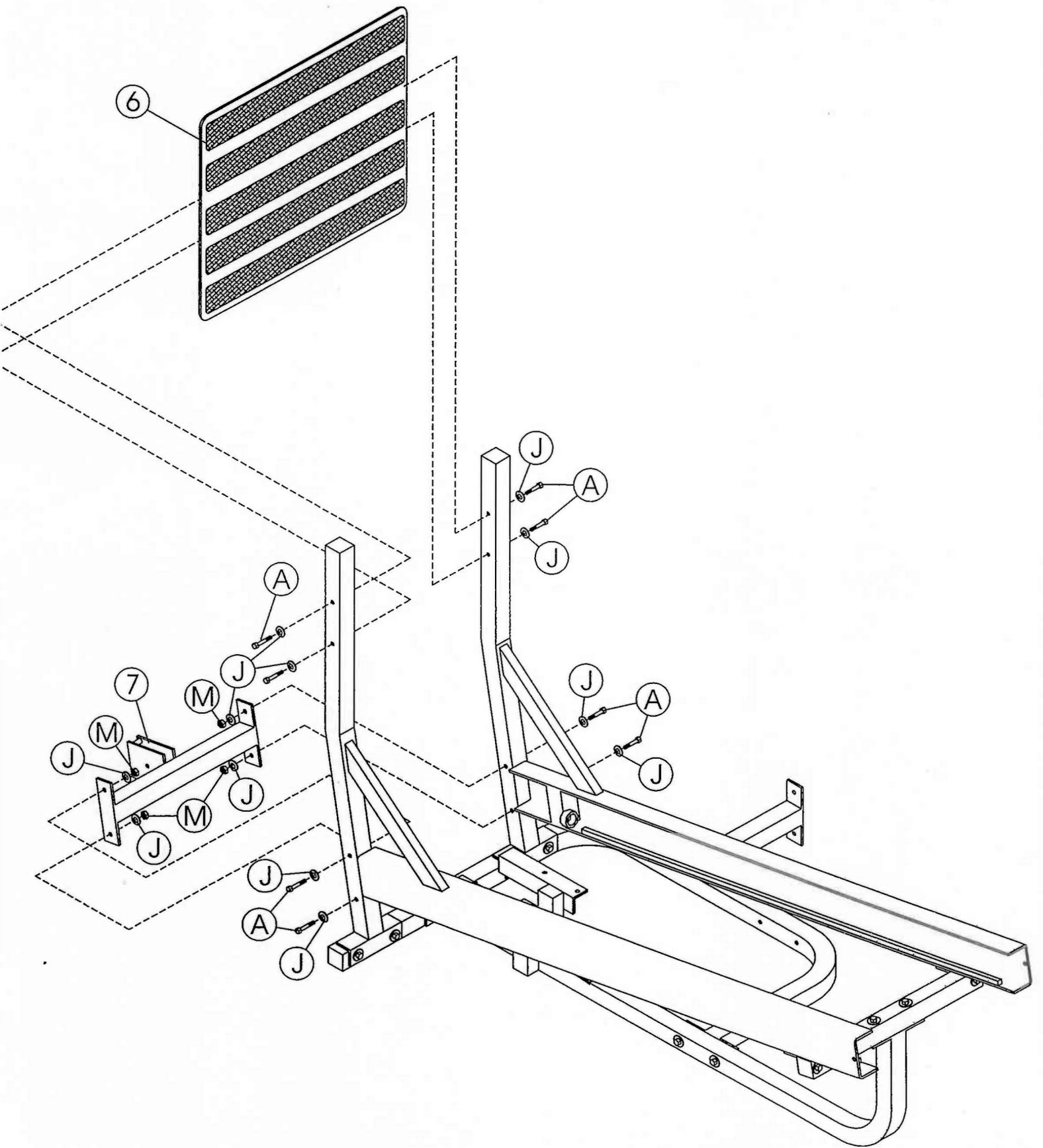


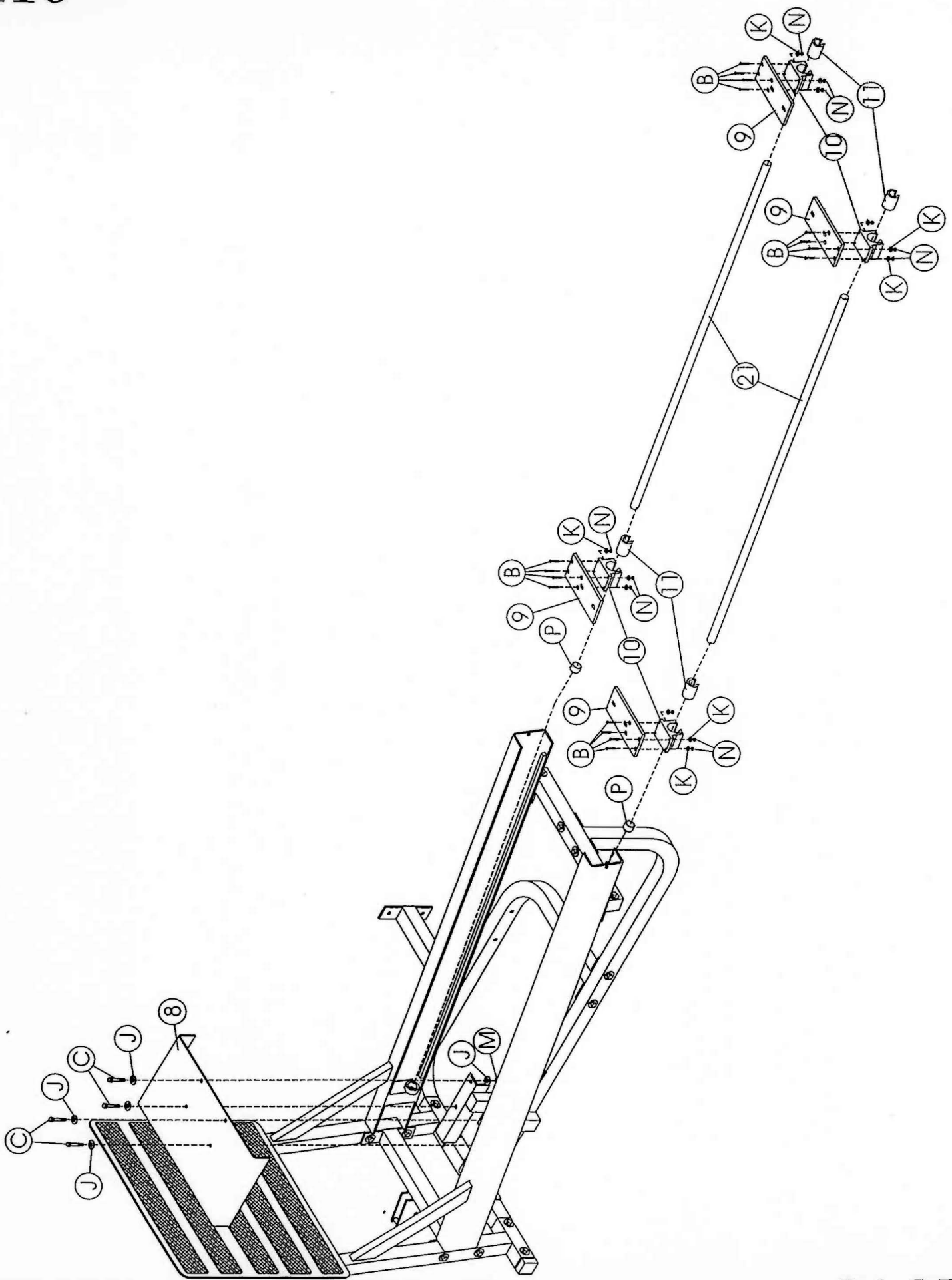
CUSTOMER CATALOG

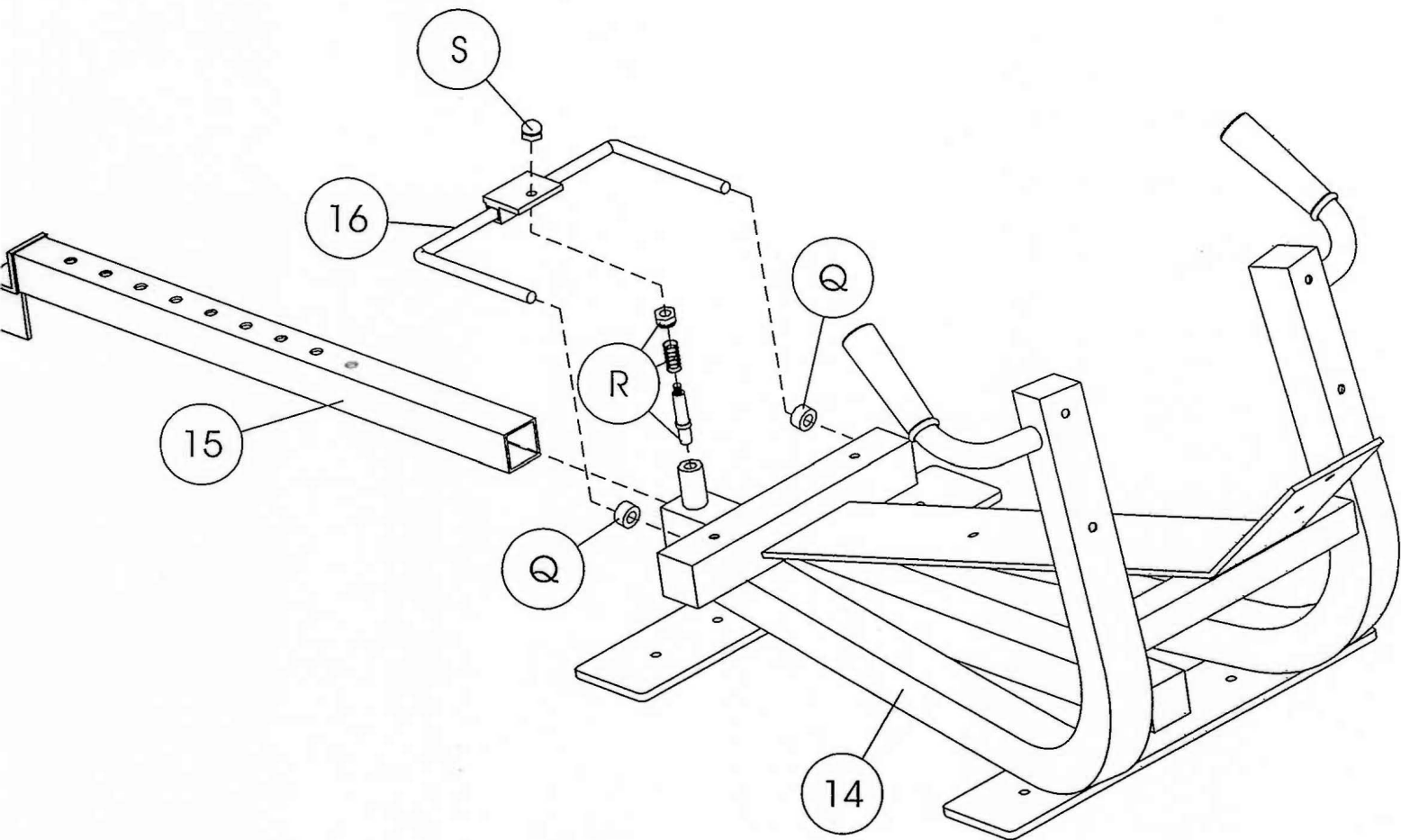
OCTOBER '95

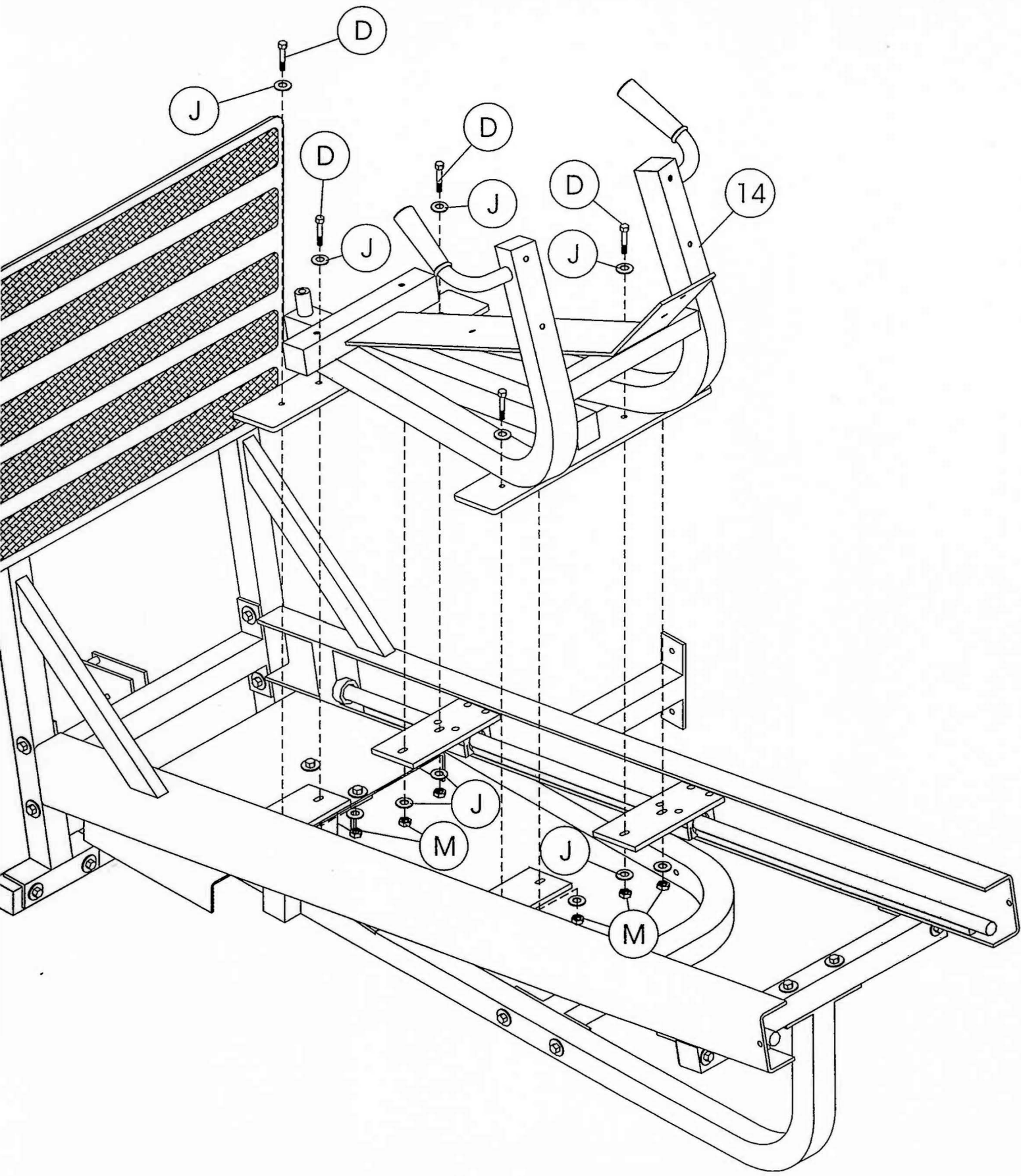


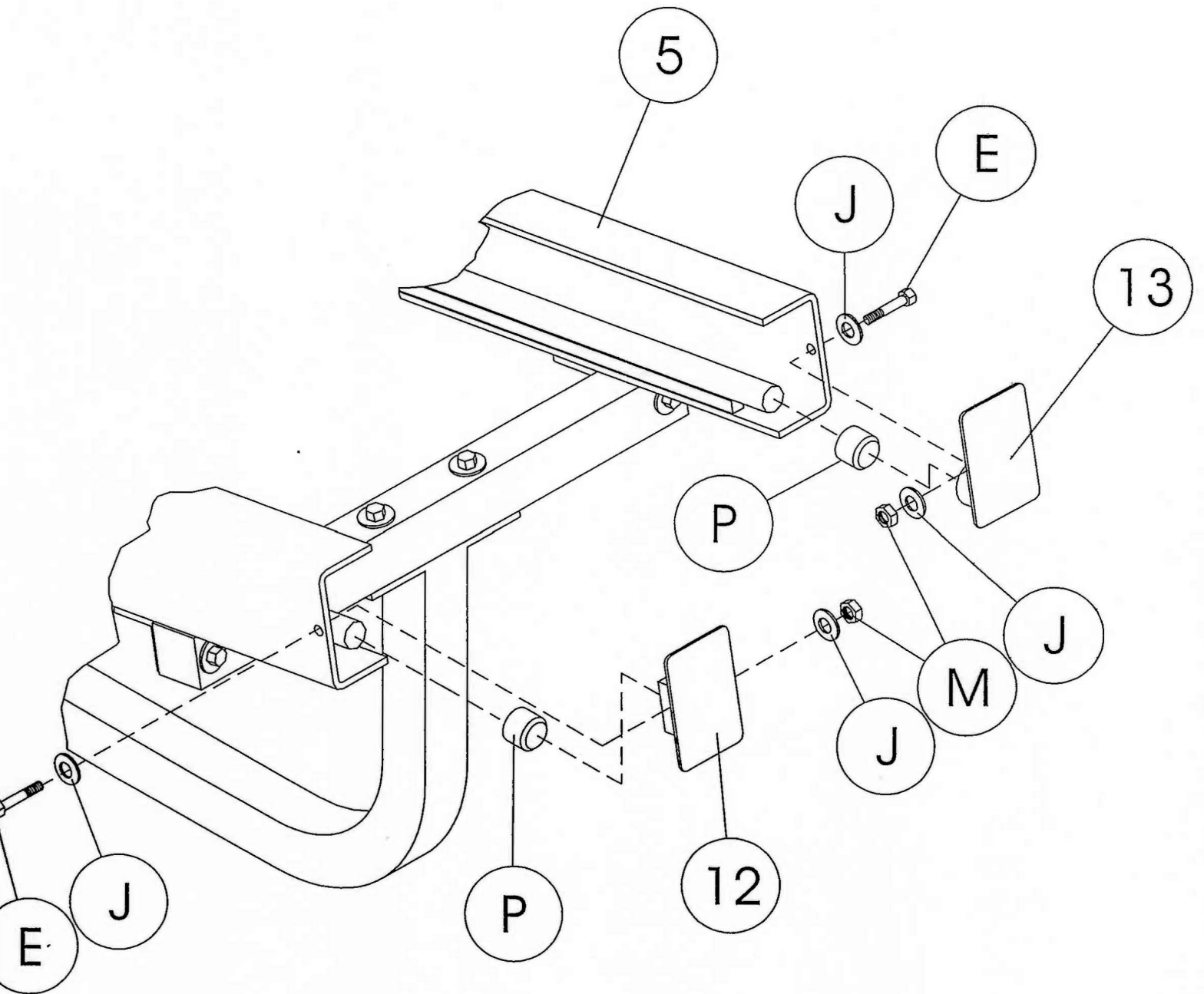


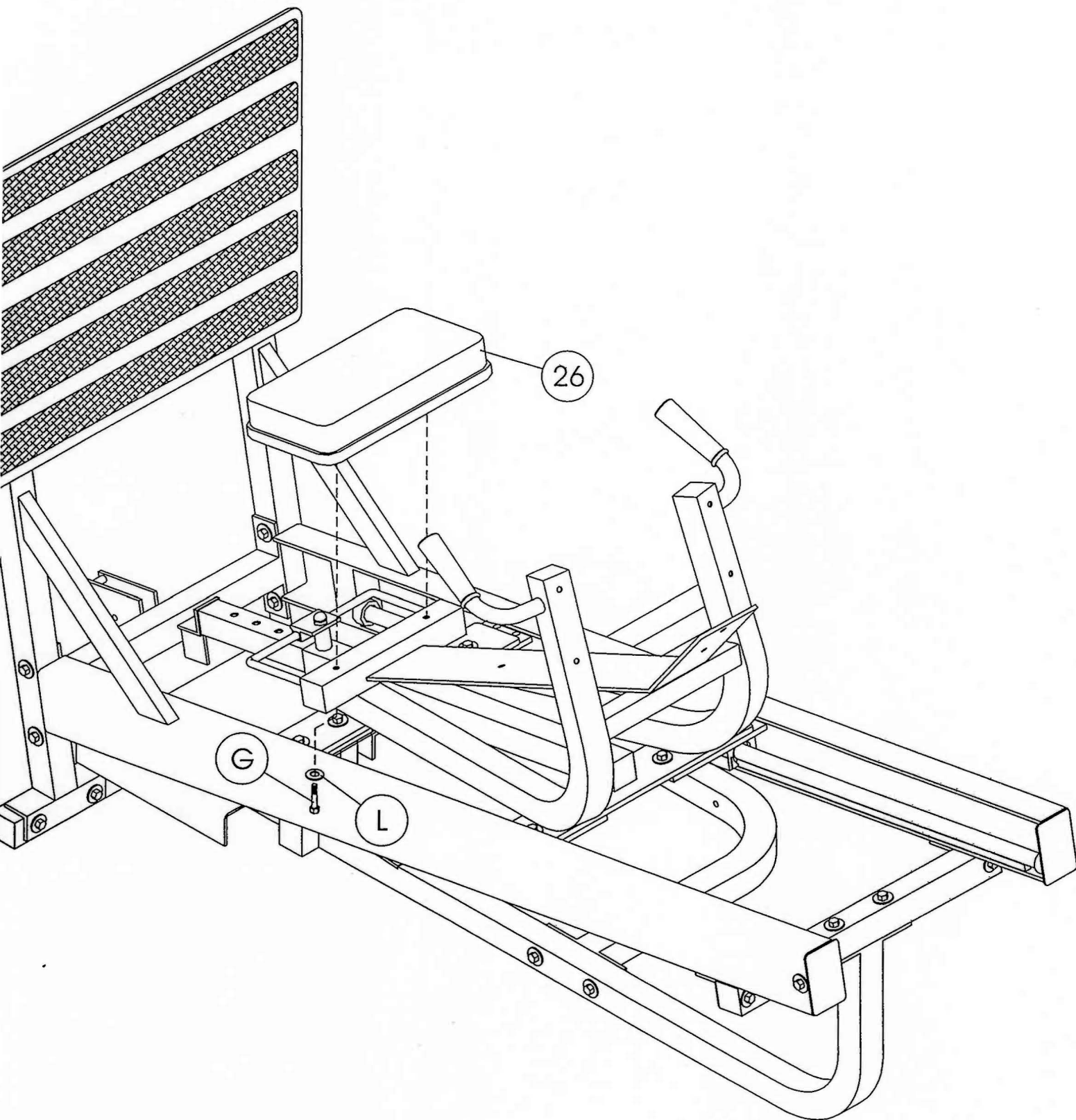


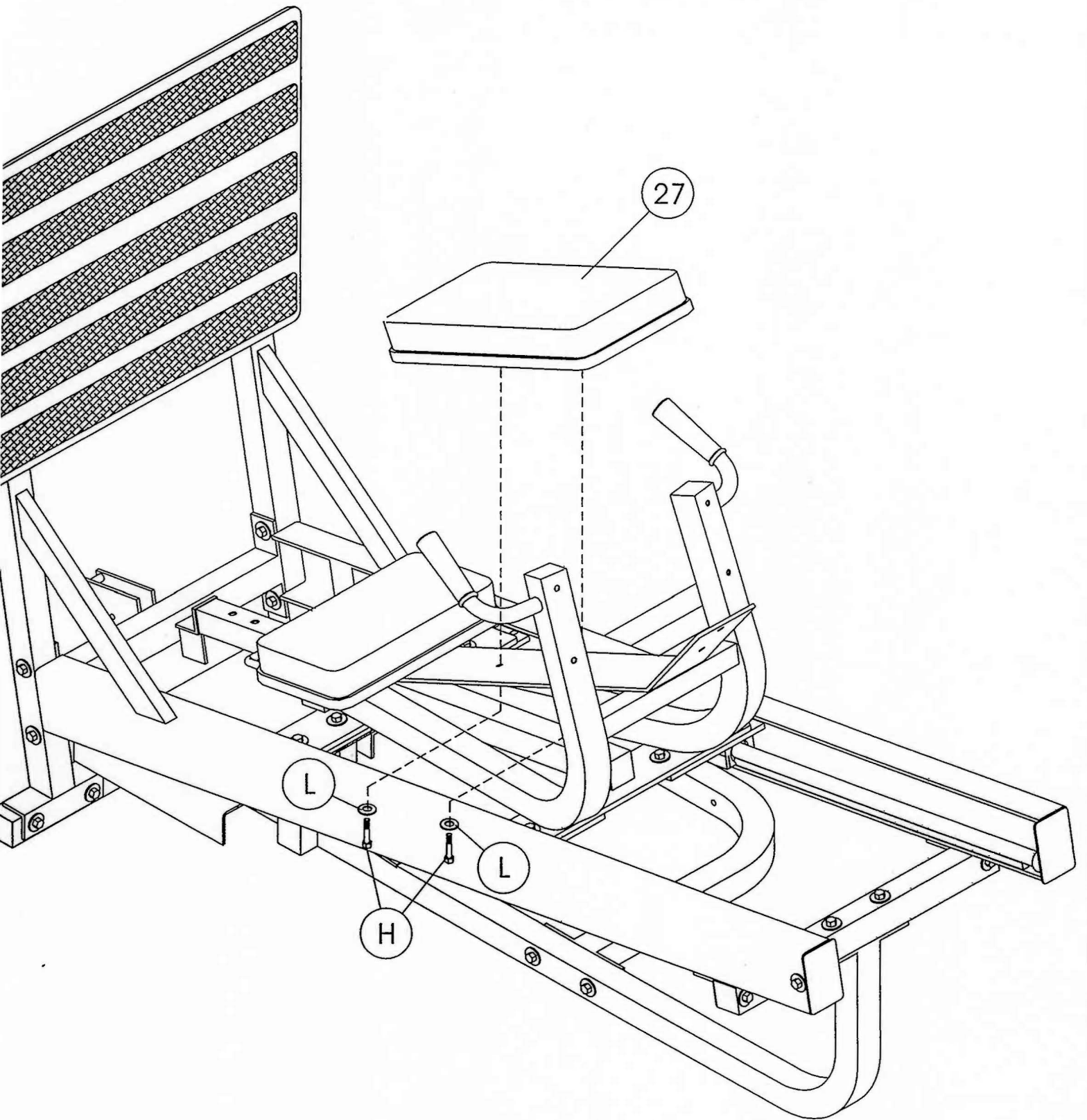


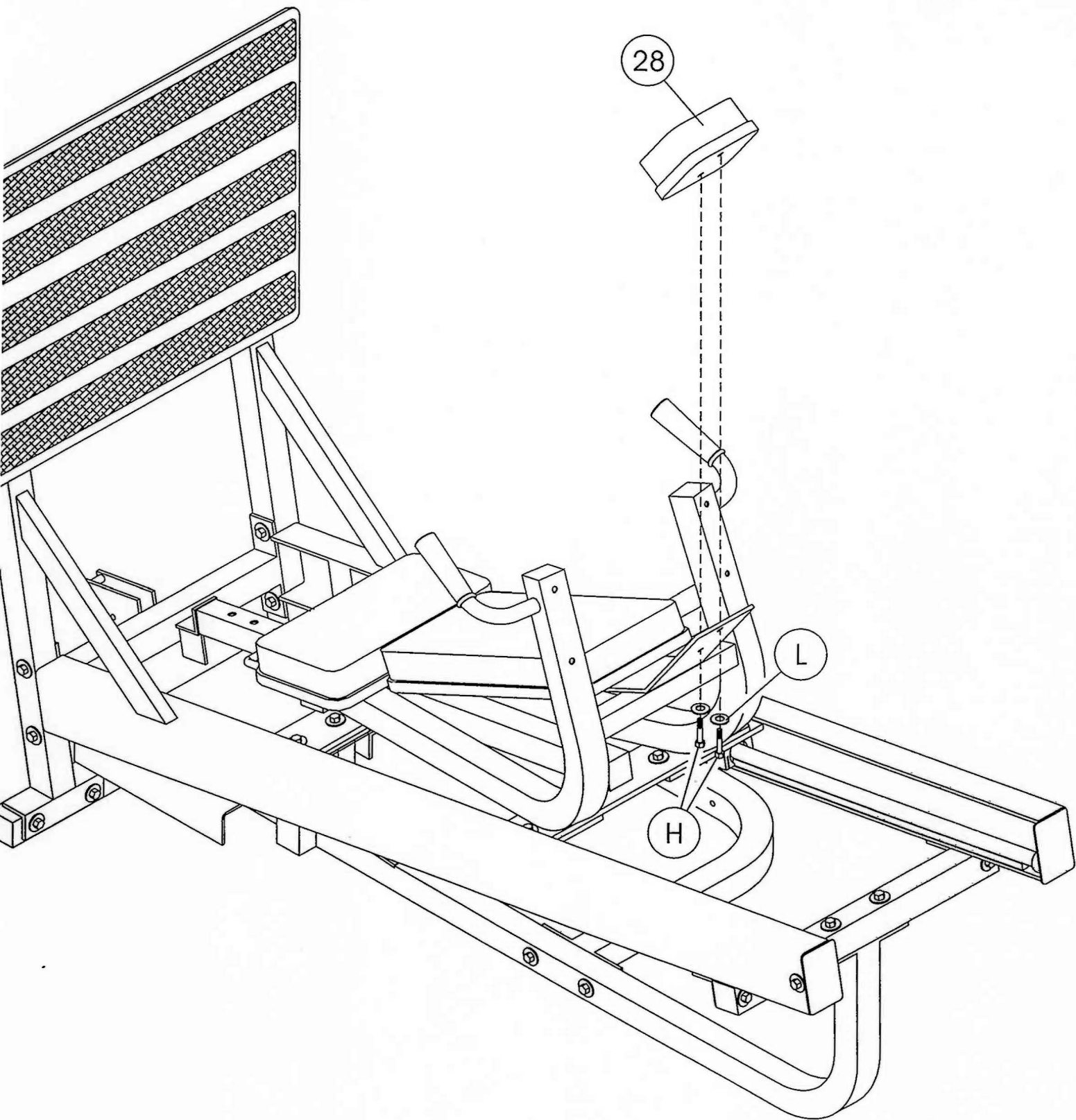


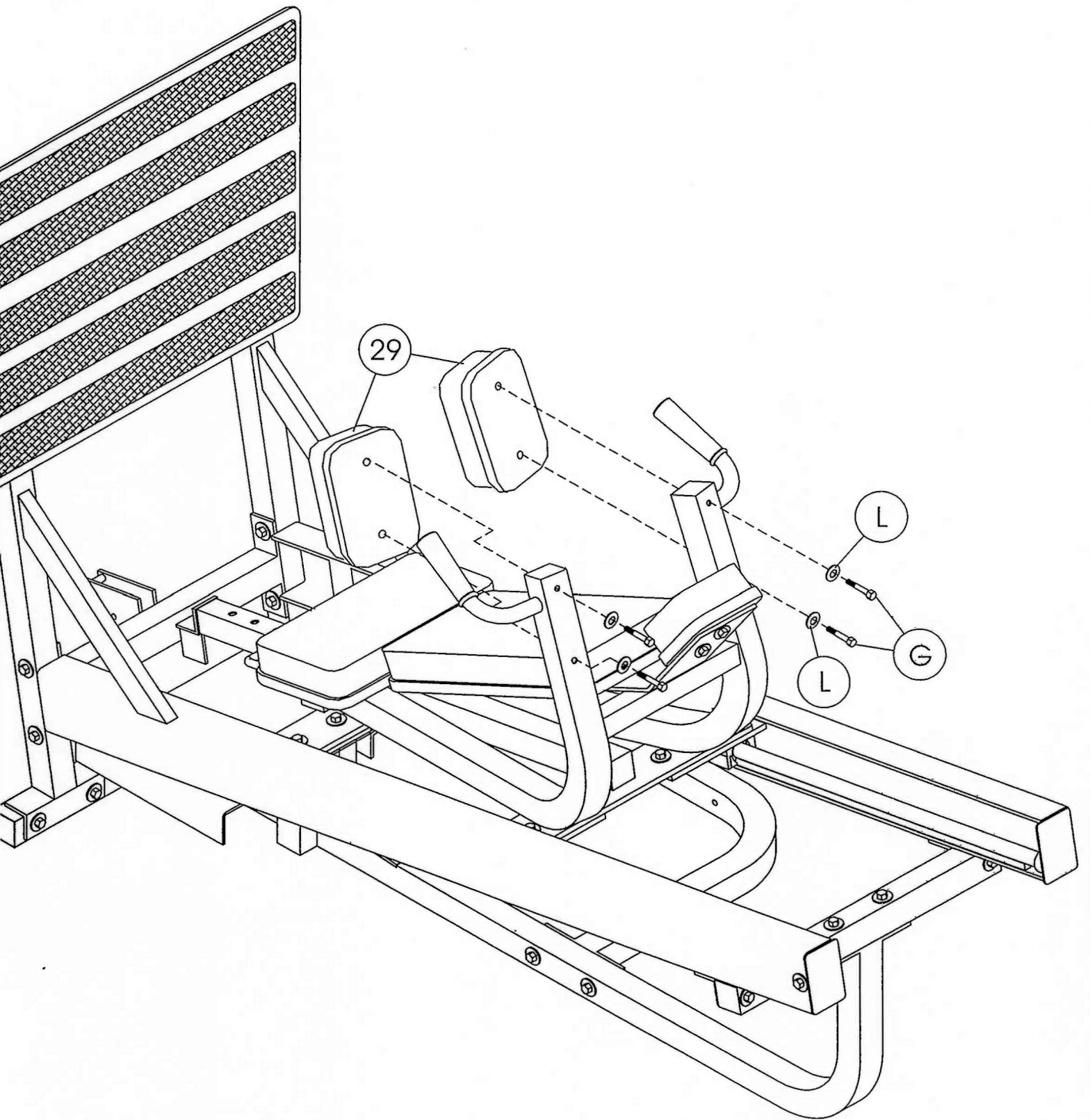


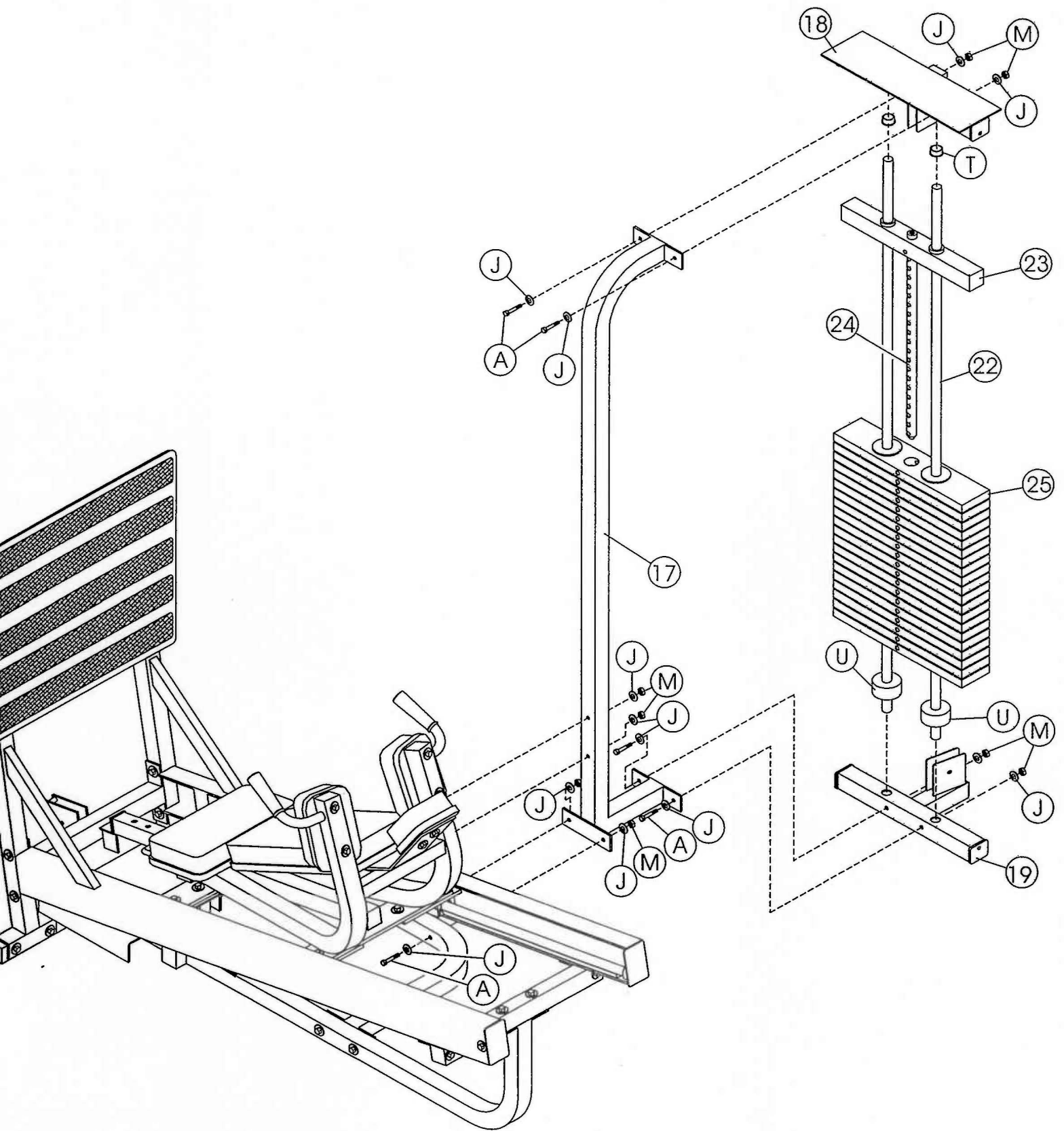


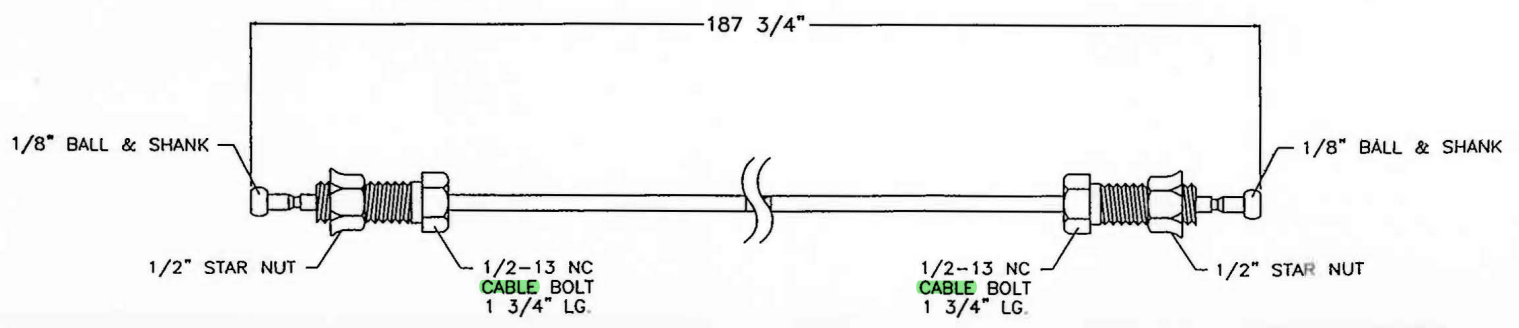
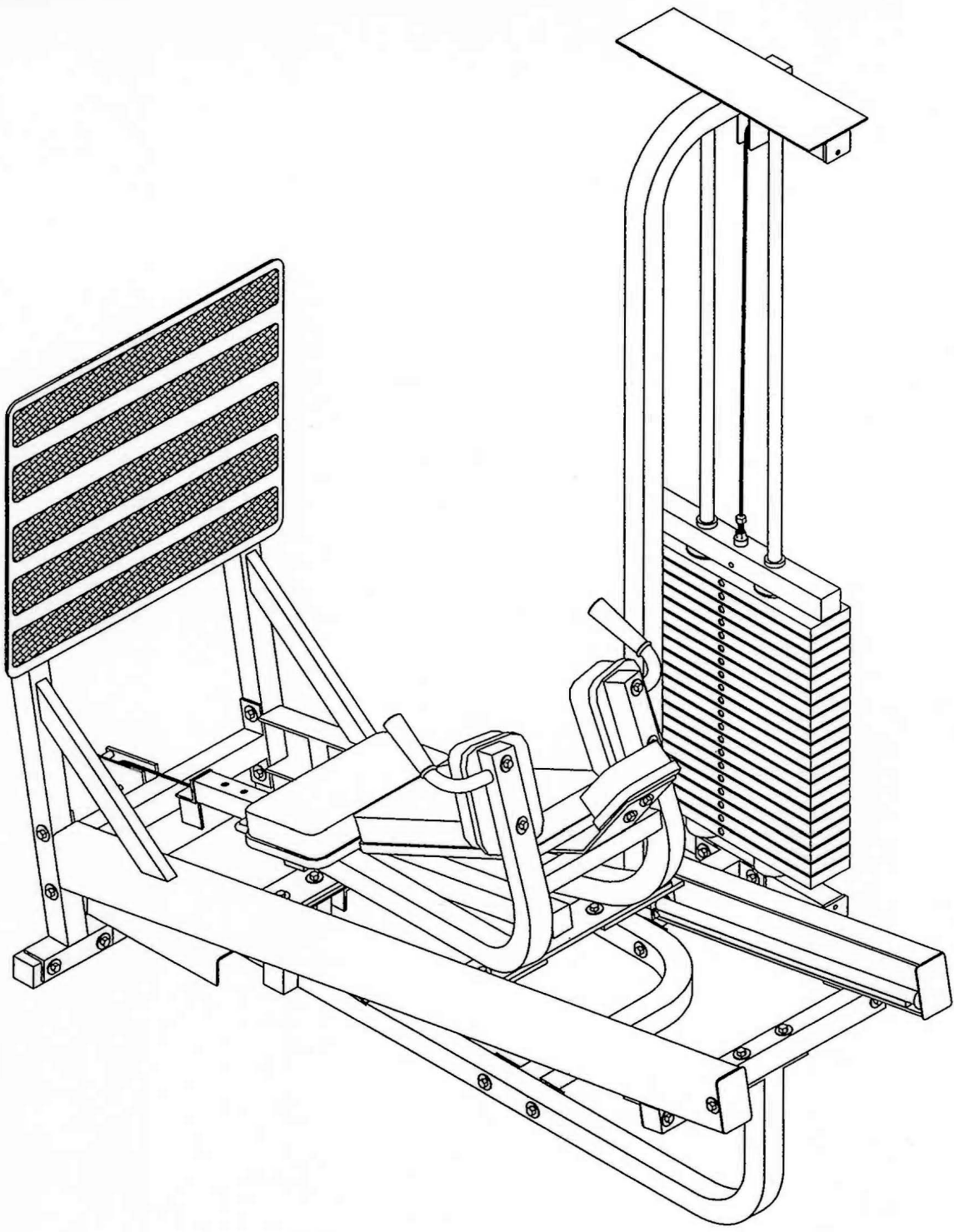




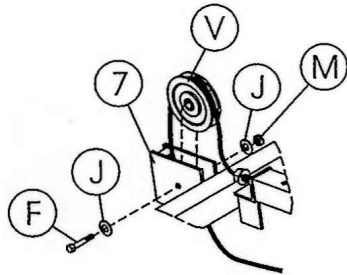




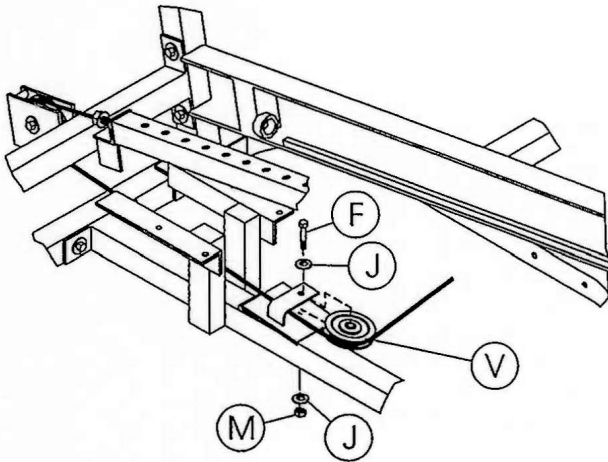




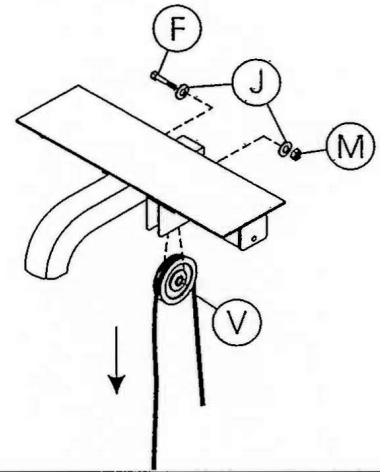
1



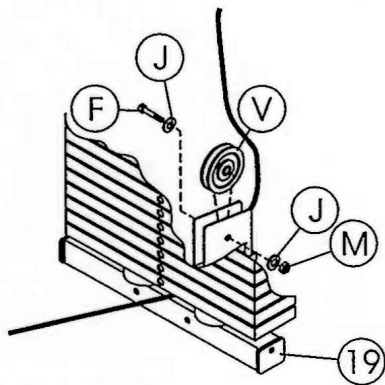
2



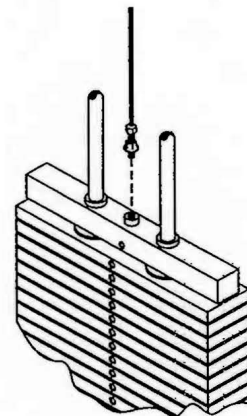
4

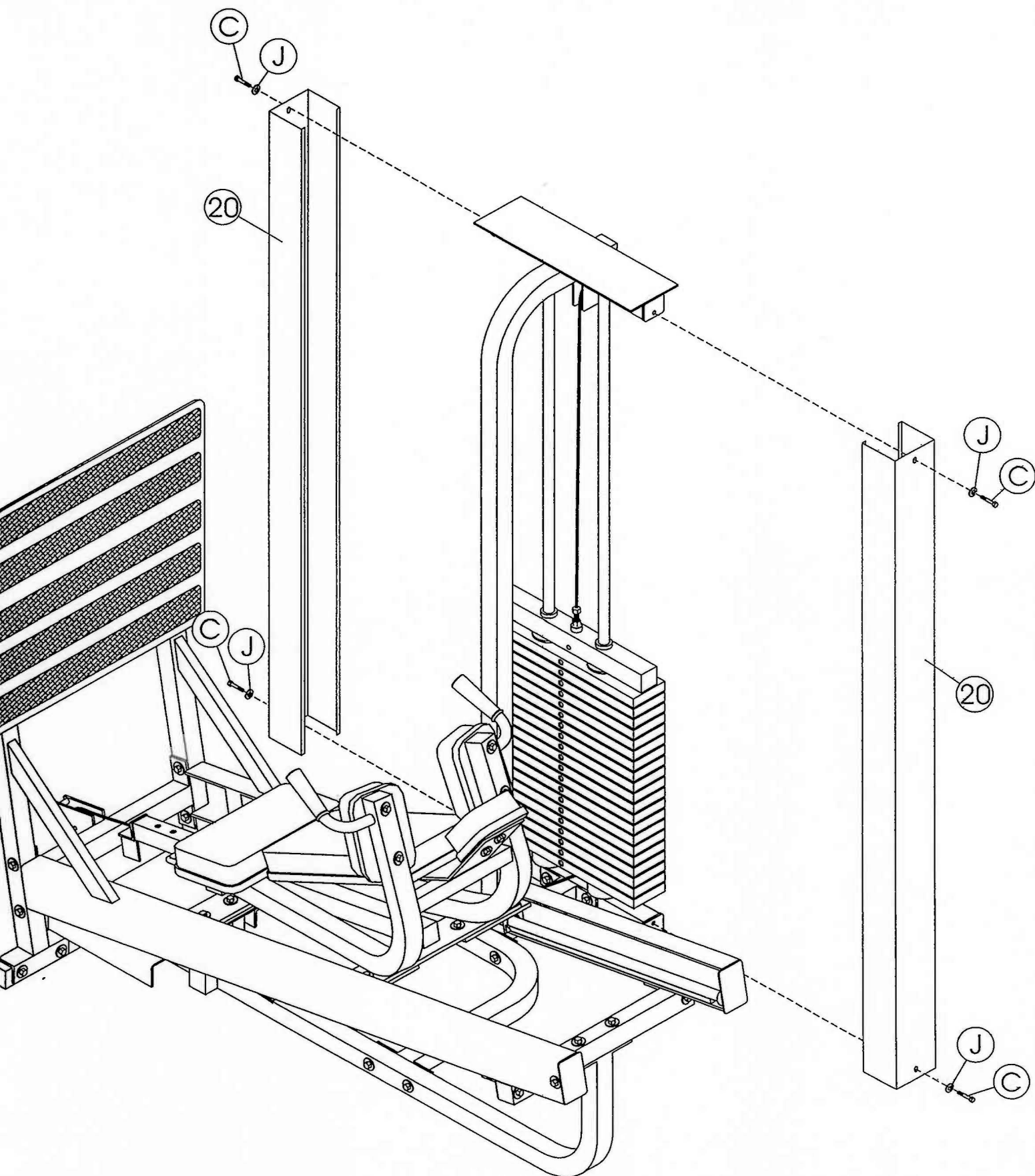


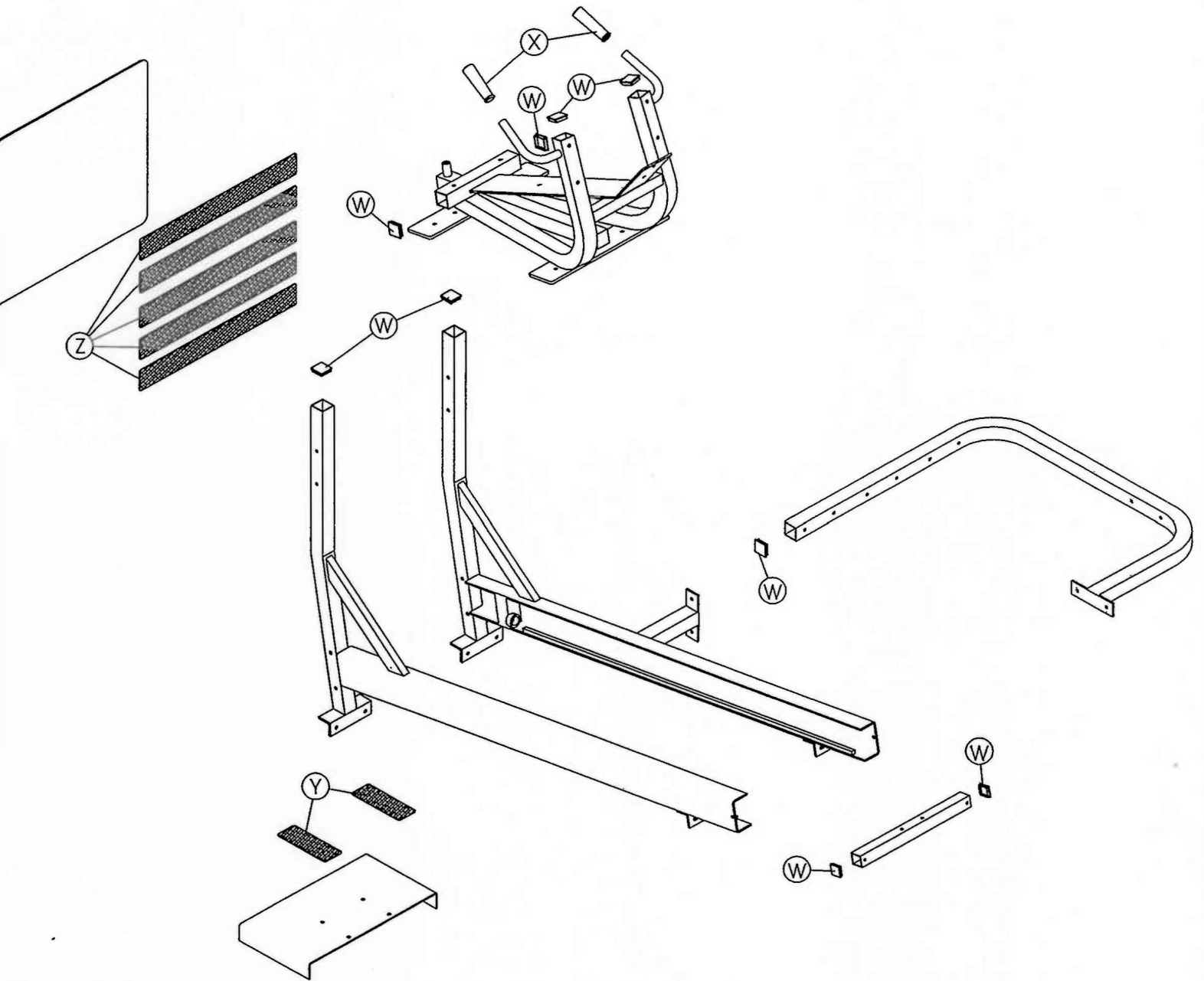
3



5







Key No.	Qty.	Part Number	Description
1	1	61-S410-05	Track Support
2	1	61-S410-16	Base Frame
3	1	61-S410-14	Track Underside Cross Member
4	1	61-S410-01	Left Side Track / Footrest Assembly
5	1	61-S410-05	Right Side Track / Footrest Assembly
6	1	61-S410-10	Main Foot Plate
7	1	61-S410-11	Carriage Feed Pulley Assembly
8	1	61-S410-17	Footrest Assembly
9	4	61-S410-12	Bearing / Carriage Mount Plate
10	4	14-BRG-LIN1PIL	Open Linear Bearing (Housing)
11	4	14-BRG-LIN1PIL	Open Linear Bearing (Bearing)
12	1	61-S410-03	Left / Track End Cap
13	1	61-S410-04	Right / Track End Cap
14	1	61-S410-07	Carriage Assembly
15	1	61-S410-13	Adjuster Assembly
16	1	61-S410-15	Pull Pin Activator Handle
17	1	61-S410-06	Weight Cage
18	1	61-S410-08	Weight Stack Top
19	1	61-S410-09	Weight Stack Bottom
20	2	26-STD-SSH115	71 3/4" Weight Stack Shield
21	2	25-IHS-58	61 7/8" Induction Hardened Shafting
22	2	26-STD-SG111	71 3/4" Guide Rod
23	1	26-STD-SWTOP2	20 lb. Top Plate
24	1	26-STD-SW110	Weight Stem
25	20	26-STD-SW104	20 lb. Intermediate Plate
26	1	26-STD-SU815	Seat Pad 8" x 15"
27	1	26-STD-SU1020	Back Pad 10" x 20"
28	1	26-STD-SU66	Head Rest 6" x 6"
29	1	26-STD-SU58	Shoulder Pad 5" x 8"

